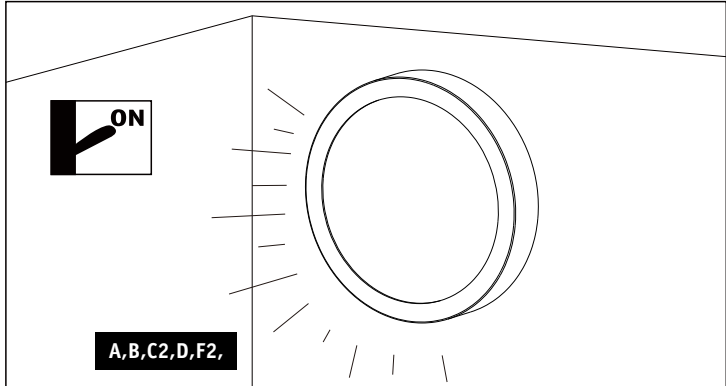
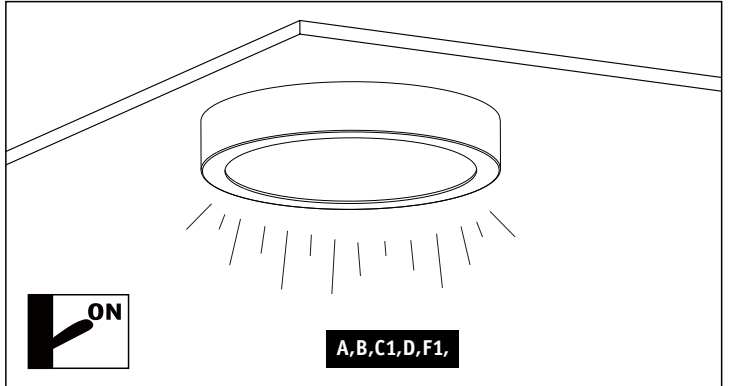
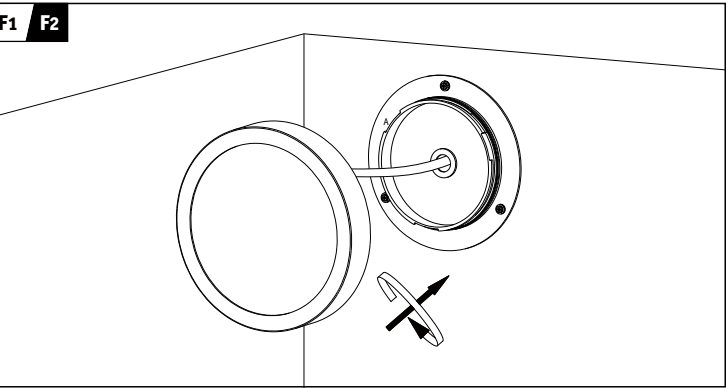
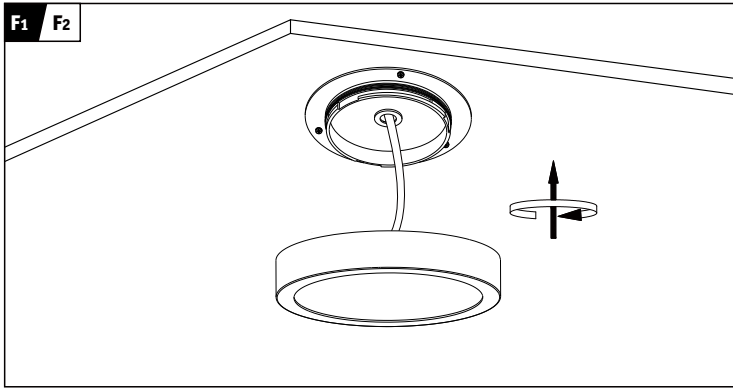
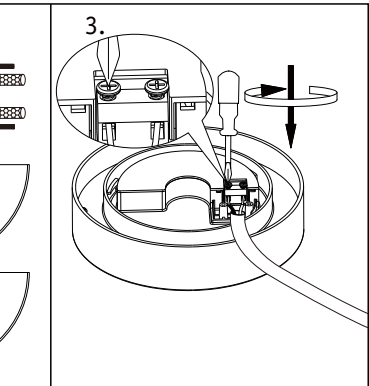
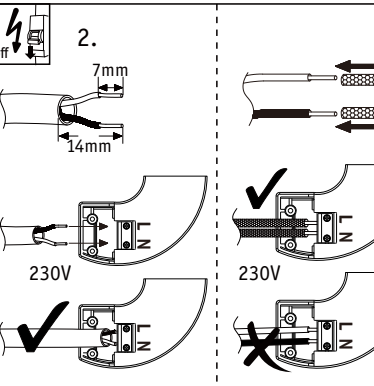
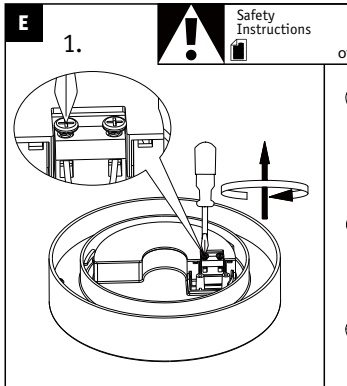
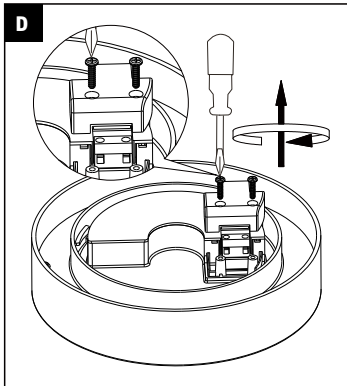
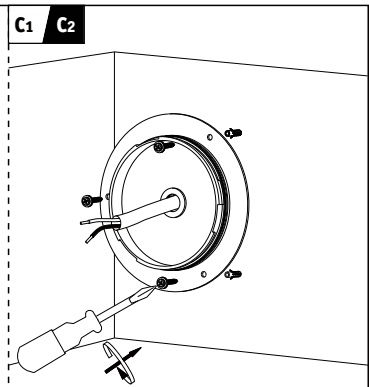
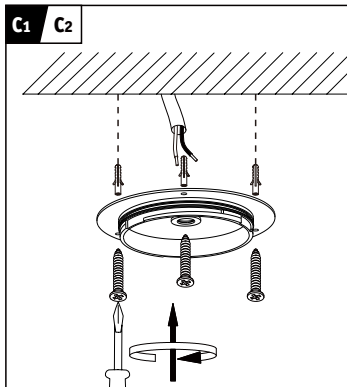
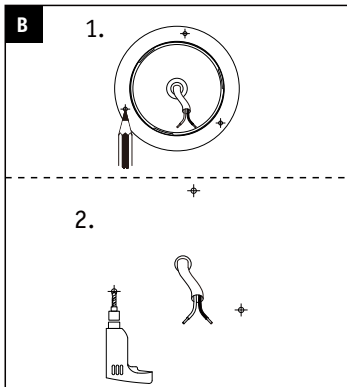
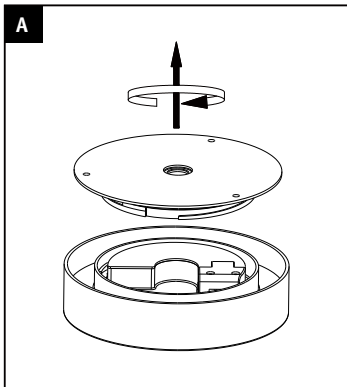


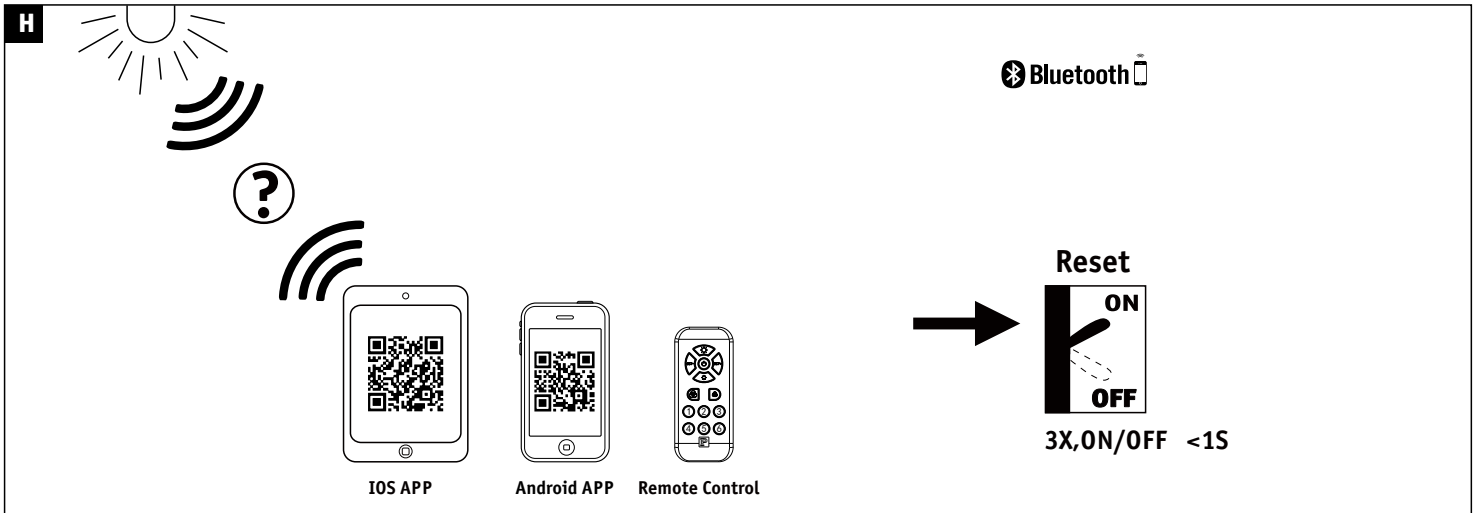
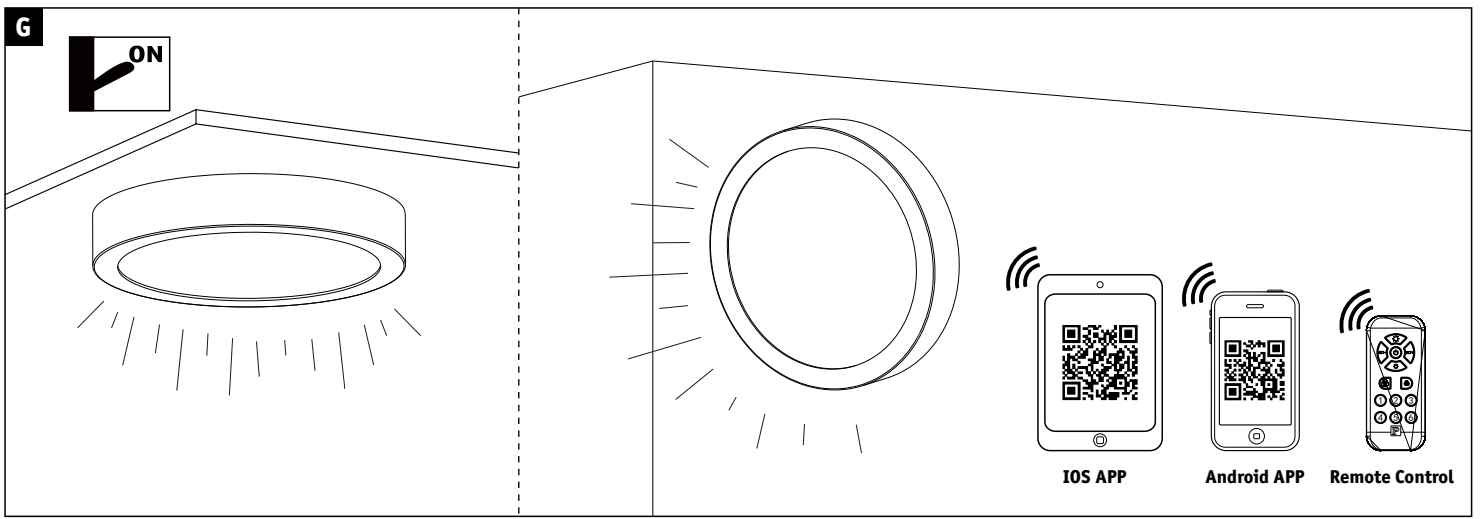
Art.-Nr.:
 500.08
 500.09
 500.10
 (+MA 173)PKE 04/16

CE

1X

incl.





I

Paulmann Home

IOS APP

Android APP

Not incl.

- iPad
- iPhone 4S Higher
- Android 4.4 Higher
- Bluetooth 4.0 Higher

Not incl. Remote Control

Paulmann Art.-Nr.500.01

